

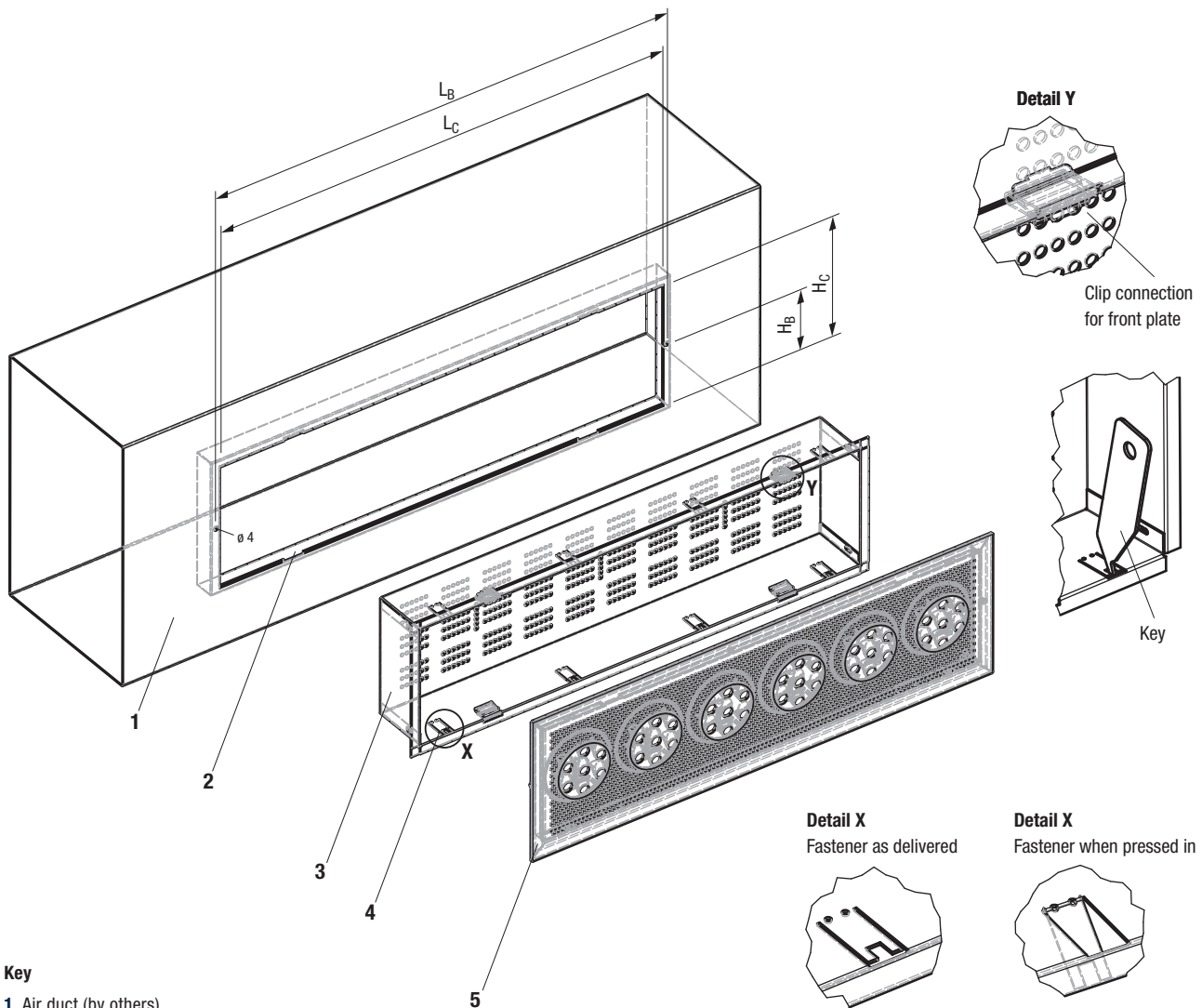
## **Broad multiplex outlet BF-V....** Accessory

# Frame for duct mounting

## Mounting instructions for broad multiplex outlet with frame for duct mounting

- 1 Make a cutout and boreholes in the duct wall (or check the existing cutout dimensions) according to Table on the right
- 2 Fasten the mounting frame to the duct wall from inside using 2 blind rivets  $\varnothing 3.2$
- 3 Insert the outlet housing into the mounting frame
- 4 Fasten the outlet housing to the mounting frame by pressing in the fasteners using the provided key (shown below) or another suitable tool
- 5 Fit the front plate onto the outlet housing

Nominal length	$L_C$	Duct cutout		Duct boreholes		
		1 row	2 rows	$L_B$	1 row	2 rows
600	557			566		
800	737	152	244	746	76	122
1,000	917			926		



### Key

- 1 Air duct (by others)
- 2 Frame for duct mounting
- 3 Outlet housing
- 4 Fastener
- 5 Front plate