

Jet nozzle DW-N2....
Swivel jet nozzle DW-V2....
Twist nozzle DW-V2-...-DR

Jet nozzle and twist nozzle

Preliminary remarks

To air condition large spaces where the air diffusers have to be placed in walls or gallery parapets, it is advisable to use nozzles. The supply air jet pattern depends on the nozzle size, the discharge velocity, the temperature difference between supply air and indoor air, and the discharge angle.

In many cases, the jet pattern can be well predicted with the help of the diagrams contained in this selection brochure. If the use of the spaces to be supplied with air is not yet established or if it may change, then it is advisable to use swivel jet nozzles which enable a resetting of both the discharge angle and the discharge direction and can therefore be adjusted to the prevailing loads in an optimal way.

In spaces where the supply air will be used both for heating and cooling, it is best to adjust the discharge angle to the respective cooling or heating load using an electric actuator or a self-acting thermostatic control unit.

Typical applications for jet nozzles are large spaces or halls such as exhibition halls, shopping centres, airports, multipurpose or concert halls, in which the air jet achieves long throws at low sound power levels. The throw of the swivel jet nozzle can be considerably reduced by mounting a twist element on the air intake side. The twist element is not visible from the room.

For architectural reasons, jet nozzles with and without twist element are often placed adjacent to each other in order to get unity of appearance.

A reduction of the jet penetration depth by using the twist nozzle makes sense in long and narrow rooms, for instance, if the distance to the opposite wall is too short for the use of jet nozzles.

Where high specific supply air volume flow rates per metre are required, it is advisable to combine twist nozzles and jet nozzles.

The following table gives an overview of the volume flow rate ranges correlated with the nozzle sizes.

| Size | Jet nozzle | | | | Twist nozzle | | | |
|--------|----------------------|-------------------|------------------|-------------------|----------------------|-------------------|------------------|-------------------|
| | Air volume flow rate | | | | Air volume flow rate | | | |
| | \dot{V}_{\min} | | \dot{V}_{\max} | | \dot{V}_{\min} | | \dot{V}_{\max} | |
| | l/s | m ³ /h | l/s | m ³ /h | l/s | m ³ /h | l/s | m ³ /h |
| DN 60 | 11 | 40 | 33 | 120 | — | — | — | — |
| DN 80 | 21 | 75 | 61 | 220 | 10 | 35 | 40 | 145 |
| DN 120 | 46 | 165 | 136 | 490 | 11 | 80 | 90 | 325 |
| DN 150 | 71 | 255 | 211 | 760 | 36 | 130 | 142 | 510 |
| DN 200 | 125 | 450 | 378 | 1 360 | 63 | 225 | 250 | 900 |
| DN 250 | 197 | 710 | 589 | 2 120 | 99 | 355 | 392 | 1 420 |

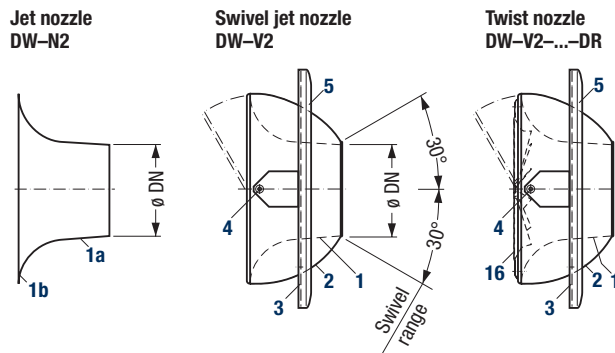


Fig. 1: Construction design

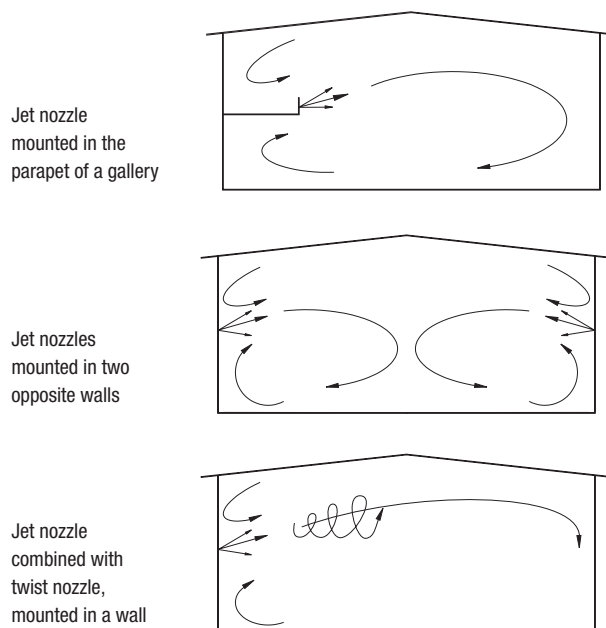


Fig. 2: Examples of arrangement

Construction design and function

Fig. 1, left, shows the non-adjustable jet nozzle DW-N2. It is made up of the nozzle body **1a**, featuring optimized air flow pattern and acoustics, with a flange **1b** on the air intake side.

Fig. 1, middle, shows the swivel jet nozzle DW-V2. Its main component is the nozzle **1** housed in the hemispheric casing **2**. This nozzle, which is linked to a fastening flange **3**, can swivel by $\pm 30^\circ$ around the horizontal swivel axis **4**. It is also possible to alter the air discharge direction sideways since the fastening flange **3** can be adjusted by $\pm 30^\circ$ in the vertical plane, which modifies the position of the swivel axis. The flange is concealed by a removable collar **5**.

As an option the swivel jet nozzle can be fitted with an electric actuator **11** or a thermostatic control unit **12** (see page 7) to enable automatic swivelling.

Fig. 1, right, shows the twist nozzle which is fitted with a twist element **16** on its intake.

Jet nozzle and twist nozzle

Specifications for layout and selection



Fig. 3: Jet dispersion with jet nozzle

Jet nozzle

With throws up to a maximum of 50 m and taking account of the requisite mounting height and minimum centre distances between the nozzles, the layout of jet nozzles allows for the following temperature differences between supply air and indoor air:

- ≤ -8 K when cooling,
- ≤ +6 K when heating.

| Size | DN 60 | DN 80 | DN 120 | DN 150 | DN 200 | DN 250 |
|--|-------|-------|--------|--------|--------|--------|
| Min. mounting height H in m | 2.5 | 2.8 | 3.2 | 3.5 | 3.9 | 4.2 |
| Max. mounting height H in m | 4 | 4 | 6 | 8 | 10 | 10 |
| Min. nozzle centre distance ¹⁾ t _{min} in m | 0.25 | 0.35 | 0.5 | 0.6 | 0.9 | 1.1 |

The graphs on pages 11 and 12 show the induction ratio, the jet deflection as well as the decrease in jet velocity and jet temperature in relation to the jet path.

The discharge direction of the swivel jet nozzle can be readjusted when tuning the HVAC system. The recommended jet angle is as follows:

- in cooling mode: 10 – 15° upwards
- in heating mode: 15 – 20° downwards

(Also see Table on page 5).



Fig. 4: Jet dispersion with twist nozzle

Twist nozzle

For short throws up to approx. 17 m twist nozzles are suitable for the following mounting heights and minimum centre distances at the following temperature differences between supply air and indoor air:

- ≤ -8 K when cooling,
- ≤ +6 K when heating.

| Size | DN 80 | DN 120 | DN 150 | DN 200 | DN 250 |
|--|-------|--------|--------|--------|--------|
| Min. mounting height H in m | 2.8 | 3.2 | 3.5 | 3.9 | 4.2 |
| Max. mounting height H in m | 4 | 6 | 8 | 10 | 10 |
| Min. nozzle centre distance ¹⁾ t _{min} in m | 0.65 | 1.1 | 1.25 | 1.6 | 2.0 |

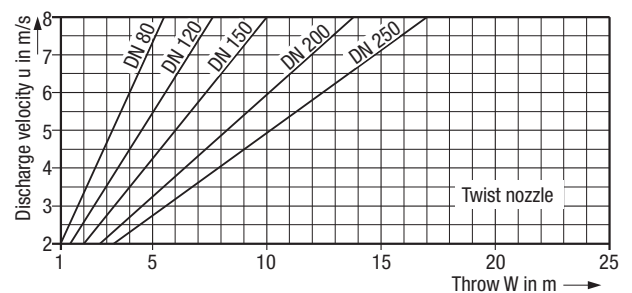
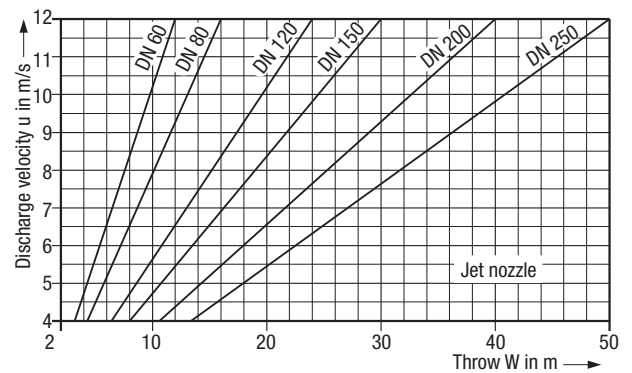


Fig. 5: Throws of jet nozzle and twist nozzle correlated with the discharge velocity

¹⁾ Distance recommended to comply with indoor air velocities needed for thermal comfort

Jet nozzle

Adjustment to thermal load

For electrical adjustment, the jet nozzles must be equipped with actuators. The discharge angle of the supply air will be set on the basis of the measured supply and indoor air temperatures, using the building management systems and an appropriate control graph.

Thermostatic control (available for nozzle sizes \geq DN 120) obviates the need for a central control system and nozzle wiring. Each jet nozzle is fitted with a thermostatic control unit which gets energy for adjustment from the supply air temperature. The thermostatic control unit is filled with expandable material and works within a supply air temperature range from 20 to 28 °C (standard model). Another advantage of this control unit is that the supply air temperature is measured inside the nozzle, not at a central point such as behind the HVAC system. With extended ductwork, significant temperature differences are likely to occur and to impair both thermal comfort and heating-up periods. This is precluded by the thermostatic control unit.

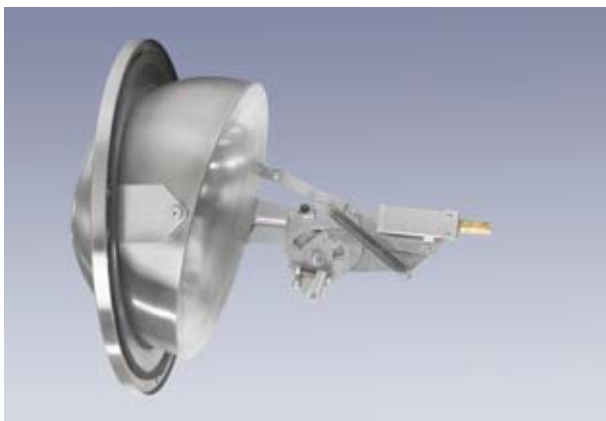


Fig 6: DW-V2 with thermostatic control unit

Connection types

a) Non-adjustable jet nozzle DW-N2



Fig. 7:
DW-N2 with flange for connection to pressurized plenum or rectangular duct

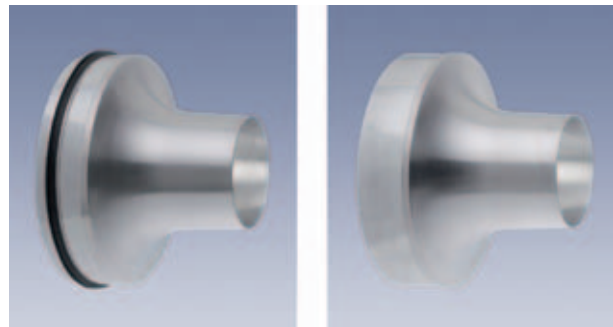


Fig 8: DW-N2

Left: with push-in end and seal for circular ducts to EN 1506 (spiral seam ducts)

Right: with slip-on end for shaped parts to EN 1506

b) Swivel jet nozzle DW-V2 and twist nozzle DW-V2-...-DR

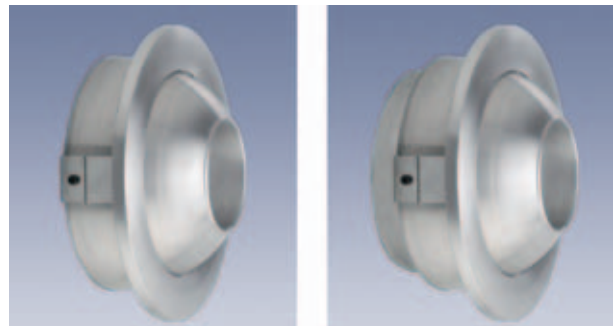


Fig. 9: DW-V2

Left: with flange and collar for connection to pressurized plenum or rectangular duct

Right: with connector for flexible duct

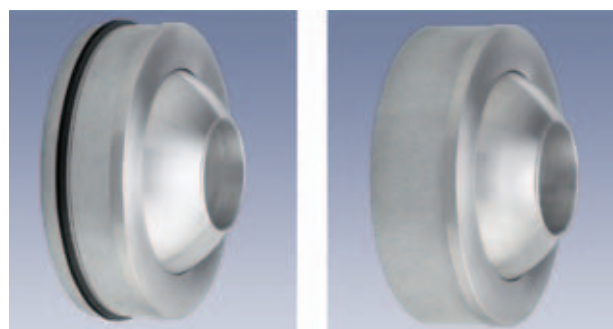


Fig. 10: DW-V2

Left: with push-in end and seal for circular ducts to EN 1506 (spiral seam ducts)

Right: with slip-on end for shaped parts to EN 1506

Jet nozzle

Instructions for mounting and adjusting the nozzles ¹⁾

1. Connection to pressurized plenum or rectangular duct, connection type K

a) Non-adjustable jet nozzle

Fasten the nozzle to the pressurized plenum or the rectangular duct using the flange **1b**.

b) Swivel jet nozzle

After removing the collar **5**, insert the jet nozzle into the duct wall cutout and fasten it with adjusting screws **6** (see sketch on page 7). By turning the fastening flange through an angle of maximum $\pm 30^\circ$, it is possible to alter the position of the swivel axis and thus to adjust the air discharge direction sideways. A scale **7** with 10-degree division at the slot segments **3a** facilitates accurate adjustment. Then secure the nozzle at the fastening points **8**. The mounting surface should be even.

2. Insertion into circular ducts to EN 1506, connection type R

For connection type R, both the swivel and the non-adjustable jet nozzles are fitted with a push-in end **9** and a seal.

3. Connection to shaped parts to EN 1506, connection type F

For connection type F, both the swivel and the non-adjustable jet nozzles have a slip-on end **10** matching shaped parts to EN 1506.

Remark on connection types R and F:

To adjust the discharge direction sideways with swivel jet nozzles provided for connection type R or F, turn the push-in or slip-on end of the nozzle. If the relevant end is fitted with a seal, a customary lubricant can be used to help turn the nozzle, in particular with large connection diameter.

Once adjustment is completed, the nozzle should be additionally secured by screws.

4. Connection to flexible duct, connection type B

With connection type B (only for manual adjustment), the flexible duct is slipped onto the connector and the jet nozzle is set to the desired position only once. The nozzle is then fastened as described for connection type K.

5. Design with thermostatic control unit

The thermostatic control unit adjusts the angle of inclination of the swivel jet nozzle in correlation with the supply air temperature (see Fig. 6). Only the heat content of the supply air acts as driving power for the control unit; no further energy supply is needed.

In the basic setting of the swivel range, the air discharge angle of the jet nozzle is -15° to the horizontal (with the jet nozzle being mounted on a vertical surface) in heating mode at supply air temperatures $> 28^\circ\text{C}$. In cooling mode, if the supply air temperatures are $< 20^\circ\text{C}$, a discharge angle of $+15^\circ$ is adjusted. In between, adjustment is almost linear (see Fig. 11).

The swivel range can also be easily altered manually, even once the swivel jet nozzle is installed; this is possible in increments of 5° and up to 20° in total – see Fig. 12.

The mechanism of the thermostatic control unit is protected from undue application of force by a device that can disengage and engage again when the nozzle is swivelled by hand.

In heating mode, the supply air jet should be discharged rather flat at low nozzle mounting heights; from greater heights it should be discharged more sharply downwards. The following table shows the recommended setting parameters (angle settings of jet nozzle to the horizontal with vertical nozzle mounting).

| Mounting height in m | Angle of inclination in degrees | |
|-------------------------|---|---|
| | Cooling mode Supply air temperature $\leq 20^\circ\text{C}$ | Heating mode Supply air temperature $\geq 28^\circ\text{C}$ |
| < 4 | +25 | -5 |
| 4 – 6 | +15 | -15 |
| > 6 | +10 | -20 |

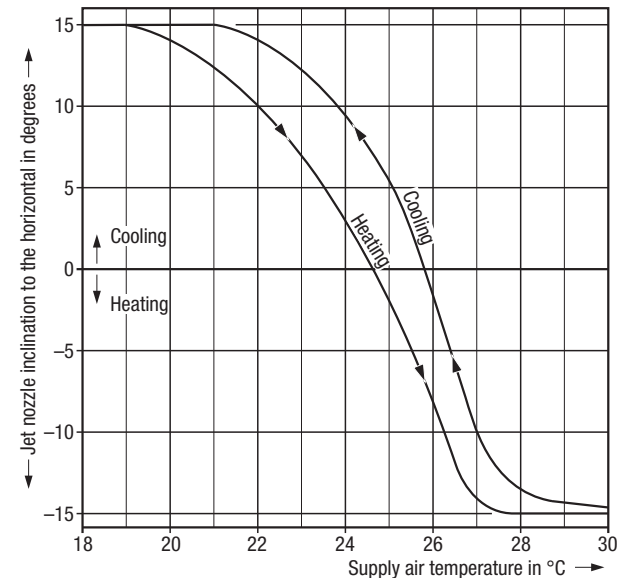


Fig 11: Inclination of jet nozzle correlated with supply air temperature in basic setting ('hysteresis')

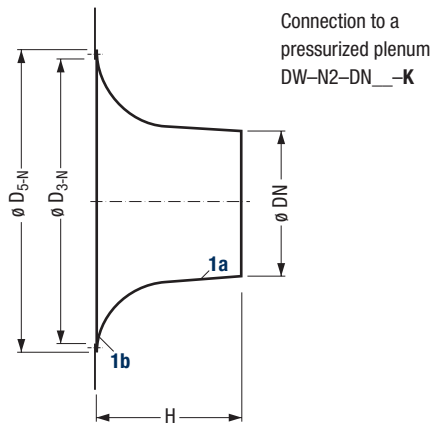


Fig 12: Subsequent alteration of discharge angle in increments of 5° (up to 20° in total)

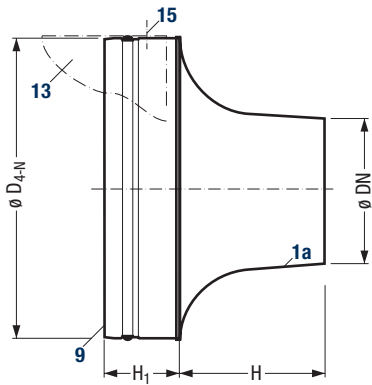
¹⁾ See key on page 6

Jet nozzle

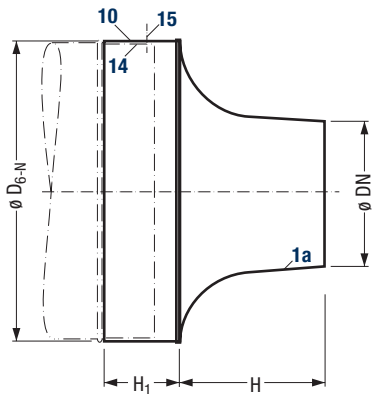
Dimensions of DW-N2



Connection to a
pressurized plenum
DW-N2-DN__K



Connection to a circular duct
DW-N2-DN__R



Connection to a shaped part
DW-N2-DN__F

Key for all pages

- 1 Nozzle
- 1a Nozzle body
- 1b Flange
- 2 Hemisphere
- 3 Fastening flange
- 3a Slot segment ²⁾
- 3b Brush seal
- 3c Flange seal
- 4 Swivel axis
- 5 Collar
- 6 Adjusting screw ²⁾
- 7 Scale of degrees ²⁾
- 8 Fastening point ²⁾
- 9 Push-in end
- 10 Slip-on end
- 11 Electric actuator
- 12 Thermostatic control unit
- 13 Connection duct
- 14 Shaped part
- 15 Locking screw
- 16 Twist element
- 17 Connector for flexible duct

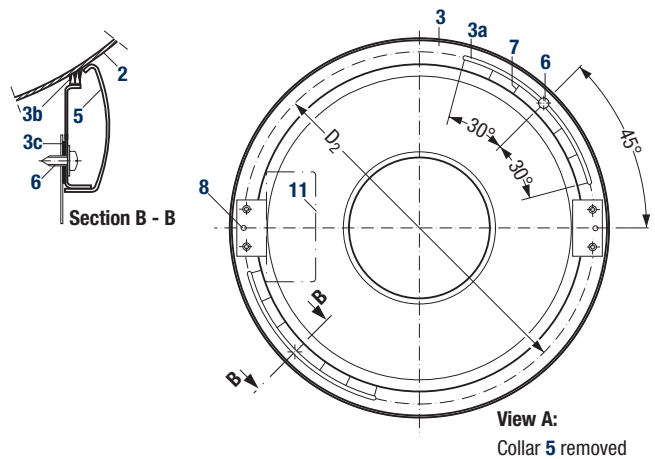
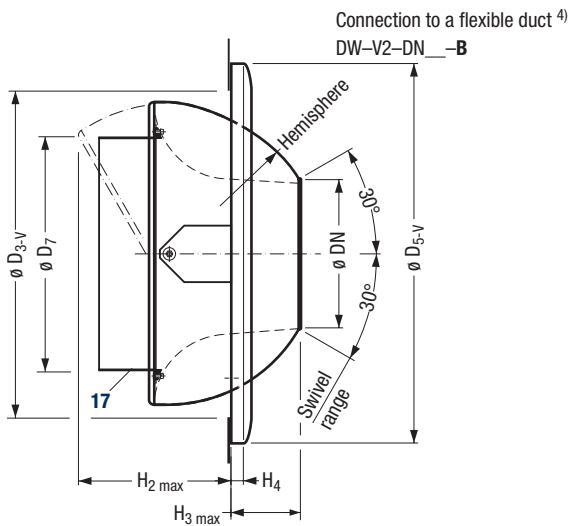
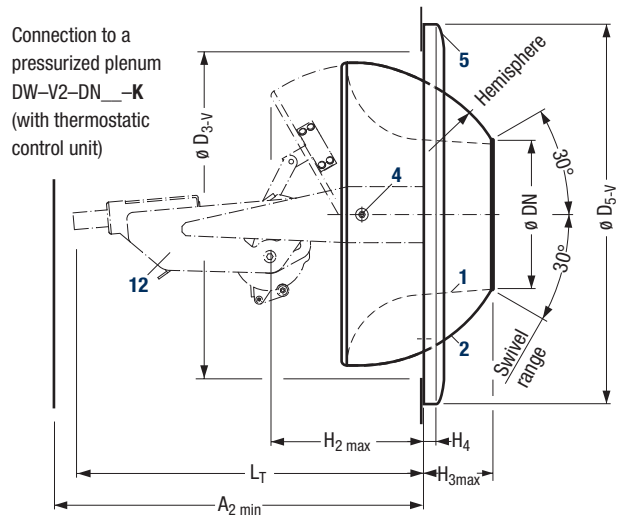
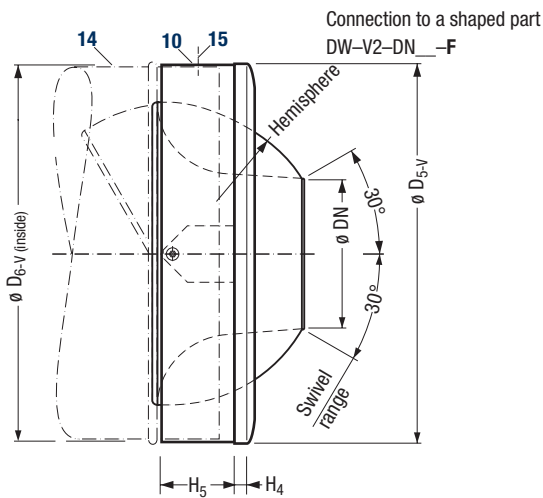
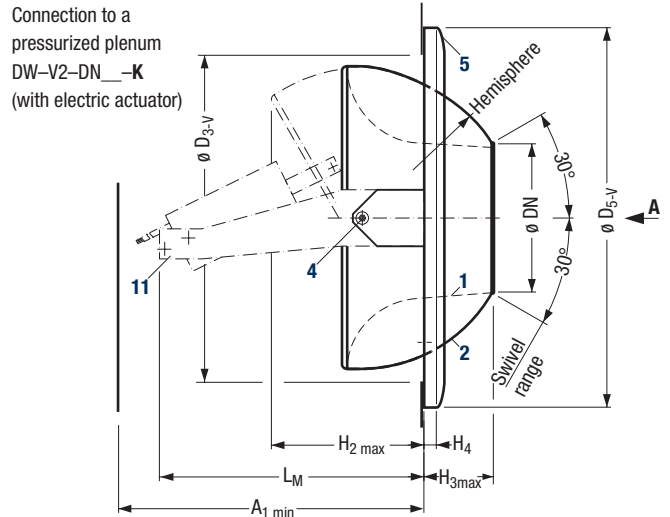
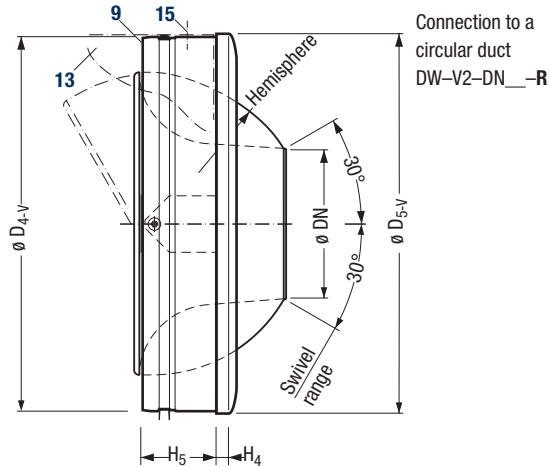
| Size | $\varnothing D_{3-N}$ ¹⁾ mm | $\varnothing D_{4-N}$ mm | $\varnothing D_{5-N}$ mm | $\varnothing D_{6-N}$ mm | H mm | H ₁ mm | Weight in kg | |
|--------|---|-----------------------------|-----------------------------|-----------------------------|---------|----------------------|----------------------|---------------------------|
| | | | | | | | Connection type K | Connection type R or F |
| DN 60 | 118 | 139 | 148 | 140 | 80 | 50 | 0.1 | 0.3 |
| DN 80 | 152 | 179 | 182 | 180 | 94 | | 0.13 | 0.4 |
| DN 120 | 238 | 249 | 268 | 250 | 132 | 70 | 0.4 | 0.9 |
| DN 150 | 300 | 314 | 330 | 315 | 158 | 90 | 0.6 | 1.4 |
| DN 200 | 410 | 399 | 440 | 400 | 207 | | 1.0 | 2.0 |
| DN 250 | 500 | 499 | 530 | 500 | 246 | | 1.4 | 2.6 |

¹⁾ Wall or duct cutout

²⁾ Only for connection to a pressurized plenum (for swivel jet nozzle and twist nozzle)

Jet nozzle

Dimensions of DW-V2 and DW-V2-...-DR



| Size | Swivel jet nozzle DW-V2 and twist nozzle DW-V2-...-DR ³⁾ | | | | | | | | | | | | | | DW-V2 | DW-V2-...-DR |
|--------|---|---|-----------------------------|-----------------------------|-----------------------------|-----------------|-----------------|-------------|-------------|-----------------|-----------------|---------------------------|-------------|-------------------------|-------------------------|-------------------------|
| | $\varnothing D_2$ mm | $\varnothing D_{3-v}$ ¹⁾ mm | $\varnothing D_{4-v}$ mm | $\varnothing D_{5-v}$ mm | $\varnothing D_{6-v}$ mm | H_2 max mm | H_3 max mm | H_4 mm | H_5 mm | A_1 min mm | A_2 min mm | L_M ³⁾ mm | L_T mm | W ²⁾ kg | $\varnothing D_7$ mm | $\varnothing D_7$ mm |
| DN 60 | 168 | 155 | 179 | 186 | 180 | 79 | 44 | 12 | 50 | 315 | — | 238 | — | 1.0 | 99 | — |
| DN 80 | 207 | 188 | 223 | 230 | 224 | 94 | 55 | 14 | | 321 | — | 244 | — | 1.3 | 139 | 124 |
| DN 120 | 295 | 274 | 314 | 321 | 315 | 135 | 78 | 15 | 70 | 335 | 390 | 258 | 367 | 2.6 | 223 | 199 |
| DN 150 | 376 | 350 | 399 | 406 | 400 | 165 | 96 | 15 | | 346 | 405 | 269 | 381 | 3.9 | 279 | 249 |
| DN 200 | 476 | 453 | 499 | 506 | 500 | 206 | 130 | 22 | 90 | 364 | 420 | 287 | 396 | 5.4 | 354 | 314 |
| DN 250 | 571 | 543 | 599 | 606 | 600 | 261 | 150 | 22 | | 389 | 450 | 312 | 424 | 7.0 | 449 | 399 |

¹⁾ Wall or duct cutout

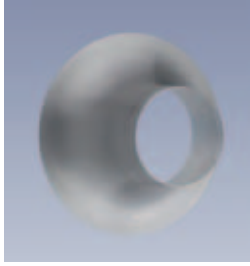
²⁾ Weight without actuator; actuator weight = approx. 0.9 kg

³⁾ Twist nozzle available in DN 80 and over

⁴⁾ Only for manual adjustment

Jet nozzle

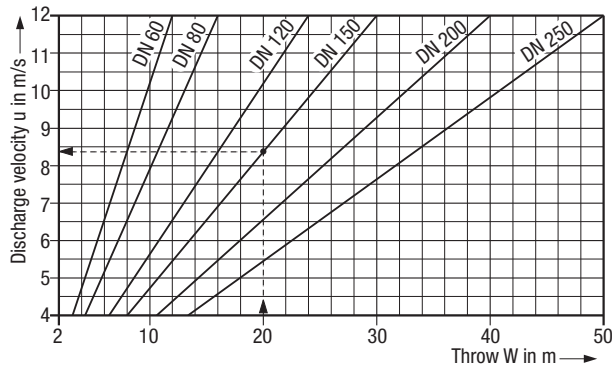
Layout sheet for DW-N2



Note:

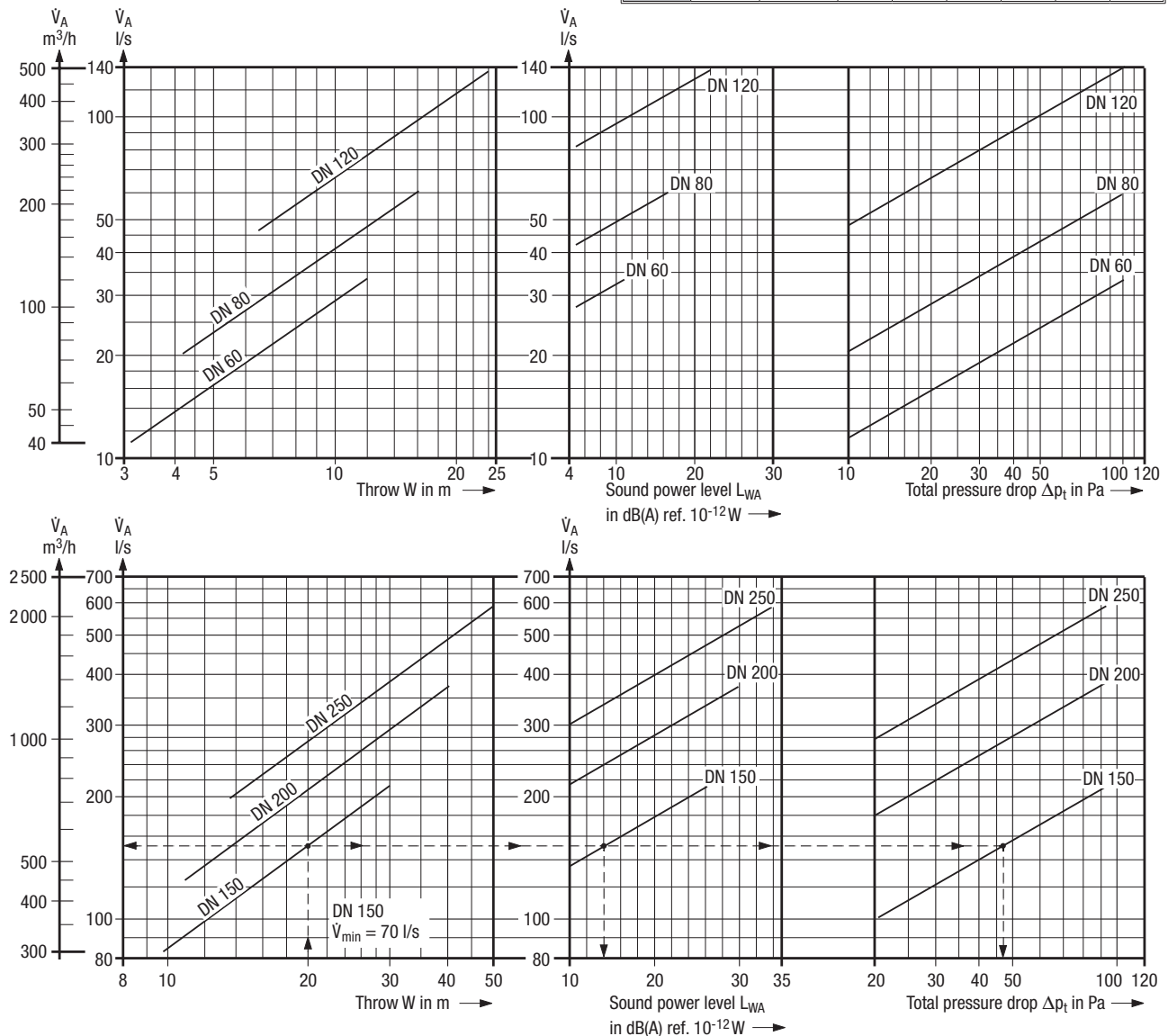
The diagram values for sound power level apply to connection type K (pressurized plenum). With connection to a straight circular duct (type R or F), the sound power level is 1 dB(A) higher, and even 3 dB(A) higher when connected to an elbow.

The pressure drop values apply to connection types K, R and F as well as behind an elbow.



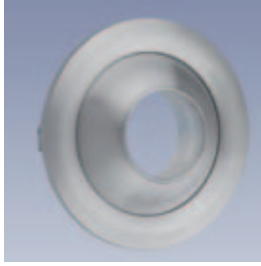
Sound power level of DW-N2

| Nozzle volume | | Discharge velocity m/s | Sound power level L_W in dB ref. 10^{-12} W | | | | | |
|------------------|---------|---------------------------|---|------------------------------------|-----|-----|-----|-----|
| flow rate l/s | m^3/h | | L_{WA} dB(A) | Octave band centre frequency in Hz | | | | |
| | | | | 125 | 250 | 500 | 1 K | 2 K |
| DN 60 | | | | | | | | |
| 22 | 80 | 8 | — | — | — | — | — | — |
| 28 | 100 | 10 | 6 | 12 | — | — | — | — |
| 33 | 120 | 12 | 12 | 18 | 12 | — | — | — |
| DN 80 | | | | | | | | |
| 40 | 145 | 8 | 3 | 11 | — | — | — | — |
| 50 | 180 | 10 | 10 | 18 | — | — | — | — |
| 61 | 220 | 12 | 17 | 25 | 14 | 14 | 10 | — |
| DN 120 | | | | | | | | |
| 89 | 320 | 8 | 8 | 14 | — | — | — | — |
| 114 | 410 | 10 | 16 | 22 | 14 | 13 | 11 | — |
| 136 | 490 | 12 | 22 | 28 | 20 | 19 | 17 | — |
| DN 150 | | | | | | | | |
| 142 | 510 | 8 | 12 | 20 | — | — | — | — |
| 178 | 640 | 10 | 19 | 27 | 16 | 15 | 15 | — |
| 211 | 760 | 12 | 26 | 34 | 23 | 22 | 22 | 15 |
| DN 200 | | | | | | | | |
| 250 | 900 | 8 | 16 | 27 | 17 | 12 | 10 | — |
| 315 | 1 130 | 10 | 24 | 35 | 25 | 20 | 18 | — |
| 380 | 1 360 | 12 | 30 | 41 | 31 | 26 | 24 | 15 |
| DN 250 | | | | | | | | |
| 395 | 1 420 | 8 | 20 | 27 | 19 | 18 | 15 | — |
| 490 | 1 770 | 10 | 27 | 34 | 26 | 25 | 22 | 13 |
| 590 | 2 120 | 12 | 34 | 41 | 33 | 32 | 29 | 19 |



Swivel jet nozzle

Layout sheet for DW-V2



Note:

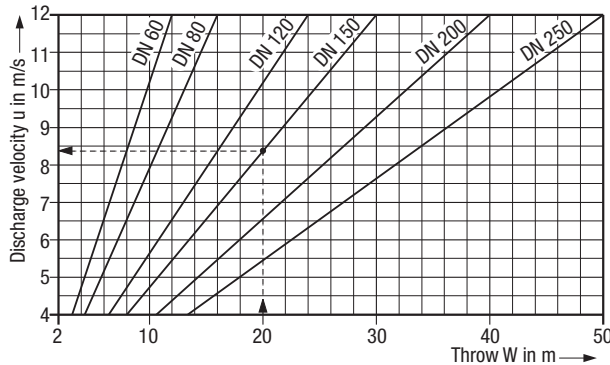
The diagram values for sound power level apply to connection type K (pressurized plenum) at a nozzle angle of inclination $\alpha = 0^\circ$.

The larger the angle of inclination α , the higher the sound power level, e.g.: $\alpha = 20^\circ +1 \text{ dB(A)}$

$\alpha = 30^\circ +2 \text{ dB(A)}$

With connection type R or F to a straight circular duct with $L \geq 3 \text{ DN}$, the sound power level is 1 dB(A) higher, and even 3 dB(A) higher when connected to an elbow.

The pressure drop values apply to connection types K, R and F, and a nozzle angle of inclination $\alpha = 0$ to 30° . With an elbow these values are to be raised by 5%.

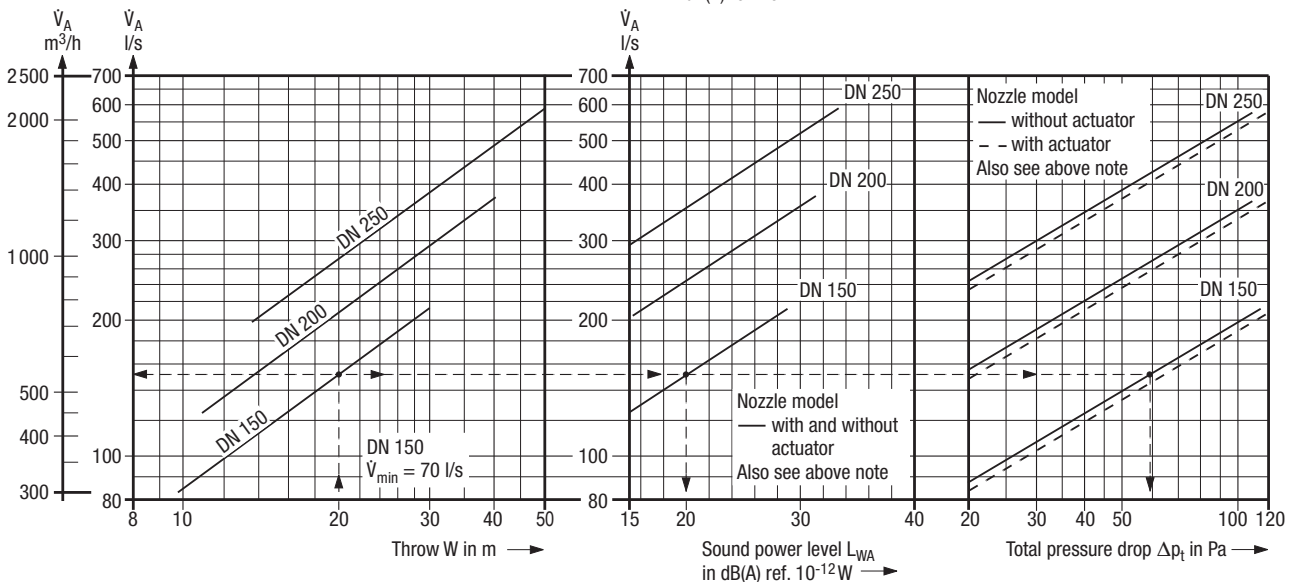
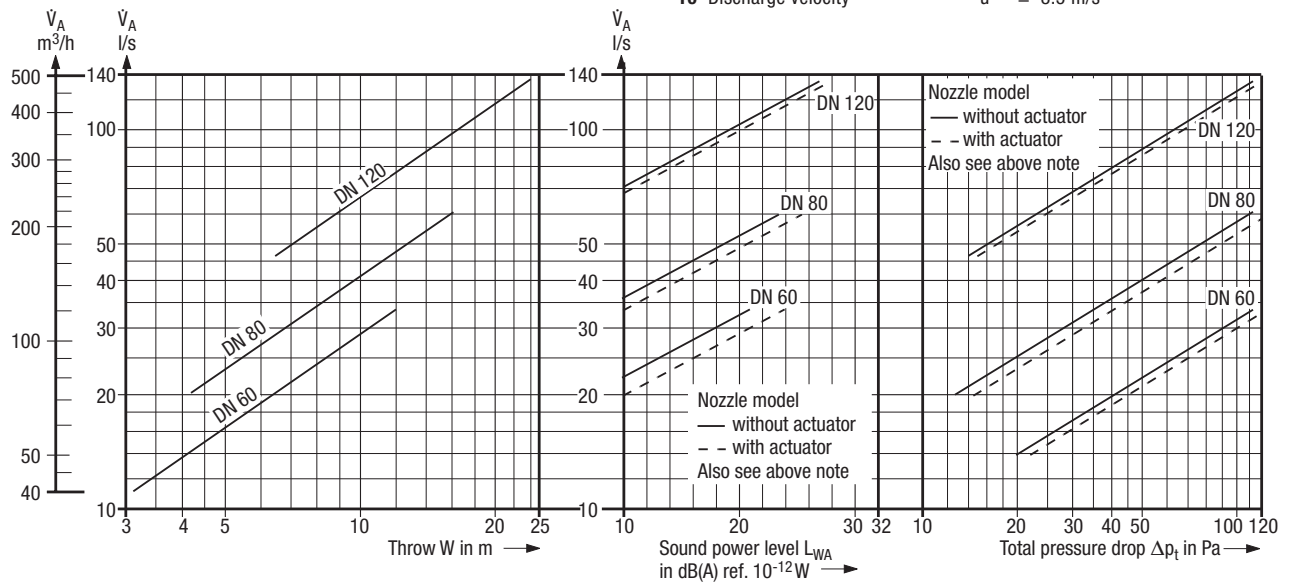


Layout example for connection to a pressurized plenum, without actuator:

- 1 Supply air volume flow rate $\dot{V} = 14\,000 \text{ l/s}$
- 2 Requisite throw $W = 20 \text{ m}$
- 3 Angle of inclination $\alpha = 20^\circ$
- 4 Max. allowable sound power level $L_{WA} = 25 \text{ dB(A) ref. } 10^{-12} \text{ W}$

From diagram:

- 5 Size = DN 150 selected
- 6 Volume flow rate $\dot{V}_A = 150 \text{ l/s}$
- 7 Sound power level $L_{WA} = 20 \text{ dB(A) ref. } 10^{-12} \text{ W at } 0^\circ$
 $L_{WA} = 21 \text{ dB(A) ref. } 10^{-12} \text{ W at } 20^\circ$
- 8 Total pressure drop $\Delta p_t \approx 60 \text{ Pa}$
- 9 Number $Z = 93 \text{ units [from 1 : 6]}$
- 10 Discharge velocity $u = 8.5 \text{ m/s}$



Swivel jet nozzle

Sound power level of DW-V2

| Angle of inclination α | Nozzle volume flow rate | | Discharge velocity m/s | Sound power level L_W in dB ref. 10^{-12} W | | | | | | | Sound power level L_W in dB ref. 10^{-12} W | | | | | | |
|----------------------------------|-------------------------|-------------------|---------------------------|---|------------------------------------|-----|-----|-----|-----|-----|---|------------------------------------|-----|-----|-----|-----|-----|
| | l/s | m ³ /h | | L_{WA} dB(A) | Octave band centre frequency in Hz | | | | | | L_{WA} dB(A) | Octave band centre frequency in Hz | | | | | |
| | | | | | 125 | 250 | 500 | 1 K | 2 K | 4 K | | 125 | 250 | 500 | 1 K | 2 K | 4 K |
| DN 60 | | | | Without actuator | | | | | | | With actuator ¹⁾ | | | | | | |
| 0° | 22 | 80 | 8 | 10 | 12 | — | — | — | — | — | 13 | 17 | 13 | 11 | — | — | — |
| | 28 | 100 | 10 | 16 | 20 | 16 | 14 | 11 | — | — | 19 | 23 | 19 | 17 | 14 | — | — |
| | 33 | 120 | 12 | 21 | 24 | 21 | 19 | 16 | 10 | — | 24 | 28 | 24 | 22 | 19 | 12 | 12 |
| 20° | 22 | 80 | 8 | 11 | 15 | 11 | — | — | — | — | 14 | 18 | 14 | 12 | — | — | — |
| | 28 | 100 | 10 | 17 | 21 | 17 | 15 | 12 | — | — | 20 | 24 | 20 | 18 | 15 | — | — |
| | 33 | 120 | 12 | 22 | 26 | 22 | 20 | 17 | 10 | 10 | 25 | 29 | 25 | 23 | 20 | 13 | 13 |
| 30° | 22 | 80 | 8 | 12 | 16 | 12 | 10 | — | — | — | 15 | 19 | 15 | 13 | 10 | — | — |
| | 28 | 100 | 10 | 18 | 22 | 18 | 16 | 13 | — | — | 21 | 25 | 21 | 19 | 16 | — | — |
| | 33 | 120 | 12 | 23 | 27 | 23 | 21 | 18 | 11 | 11 | 26 | 30 | 26 | 24 | 21 | 14 | 14 |
| DN 80 | | | | Without actuator | | | | | | | With actuator ¹⁾ | | | | | | |
| 0° | 40 | 145 | 8 | 13 | 13 | 13 | 10 | — | — | — | 15 | 19 | 17 | 15 | — | — | — |
| | 50 | 180 | 10 | 19 | 23 | 21 | 18 | 10 | — | — | 21 | 25 | 23 | 21 | 13 | — | — |
| | 61 | 220 | 12 | 23 | 28 | 25 | 23 | 17 | 10 | — | 25 | 29 | 27 | 25 | 17 | 10 | 10 |
| 20° | 40 | 145 | 8 | 14 | 18 | 16 | 14 | — | — | — | 16 | 20 | 18 | 16 | — | — | — |
| | 50 | 180 | 10 | 20 | 24 | 22 | 20 | 12 | — | — | 22 | 26 | 24 | 22 | 14 | — | — |
| | 61 | 220 | 12 | 24 | 28 | 26 | 24 | 16 | — | — | 26 | 30 | 28 | 26 | 18 | 11 | 11 |
| 30° | 40 | 145 | 8 | 15 | 19 | 17 | 15 | — | — | — | 17 | 21 | 19 | 17 | — | — | — |
| | 50 | 180 | 10 | 21 | 25 | 23 | 21 | 13 | — | — | 23 | 27 | 25 | 23 | 15 | — | — |
| | 61 | 220 | 12 | 25 | 29 | 27 | 25 | 17 | 10 | 10 | 27 | 31 | 29 | 27 | 19 | 12 | 12 |
| DN 120 | | | | Without actuator | | | | | | | With actuator ¹⁾ | | | | | | |
| 0° | 89 | 320 | 8 | 16 | 27 | 19 | 10 | — | — | — | 17 | 27 | 20 | 12 | — | — | — |
| | 114 | 410 | 10 | 22 | 33 | 25 | 17 | 13 | — | — | 23 | 33 | 26 | 18 | 14 | — | — |
| | 136 | 490 | 12 | 27 | 36 | 30 | 23 | 19 | 14 | 10 | 28 | 38 | 31 | 23 | 19 | 13 | 12 |
| 20° | 89 | 320 | 8 | 17 | 27 | 20 | 12 | — | — | — | 18 | 28 | 21 | 13 | — | — | — |
| | 114 | 410 | 10 | 23 | 33 | 26 | 18 | 14 | — | — | 24 | 34 | 27 | 19 | 15 | — | — |
| | 136 | 490 | 12 | 28 | 38 | 31 | 23 | 19 | 13 | 12 | 29 | 39 | 32 | 24 | 20 | 14 | 13 |
| 30° | 89 | 320 | 8 | 18 | 28 | 21 | 13 | — | — | — | 19 | 29 | 22 | 14 | 10 | — | — |
| | 114 | 410 | 10 | 24 | 34 | 27 | 19 | 15 | — | — | 25 | 35 | 28 | 20 | 16 | 10 | — |
| | 136 | 490 | 12 | 29 | 39 | 32 | 24 | 20 | 14 | 13 | 30 | 40 | 33 | 25 | 21 | 15 | 14 |
| DN 150 | | | | Without and with actuator ¹⁾ | | | | | | | Without and with actuator ¹⁾ | | | | | | |
| 0° | 142 | 510 | 8 | 18 | 30 | 19 | 14 | — | — | — | 18 | 30 | 21 | 14 | — | — | — |
| | 178 | 640 | 10 | 24 | 34 | 26 | 22 | 15 | — | — | 23 | 33 | 26 | 18 | 14 | — | — |
| | 211 | 760 | 12 | 29 | 38 | 31 | 27 | 22 | 14 | 10 | 28 | 38 | 31 | 23 | 19 | 13 | 12 |
| 20° | 142 | 510 | 8 | 19 | 29 | 21 | 16 | 10 | — | — | 18 | 28 | 21 | 13 | — | — | — |
| | 178 | 640 | 10 | 25 | 35 | 27 | 22 | 16 | — | — | 24 | 34 | 27 | 19 | 15 | — | — |
| | 211 | 760 | 12 | 30 | 40 | 32 | 27 | 21 | 14 | 14 | 29 | 39 | 32 | 24 | 20 | 14 | 13 |
| 30° | 142 | 510 | 8 | 20 | 30 | 22 | 17 | 11 | — | — | 19 | 29 | 22 | 14 | 10 | — | — |
| | 178 | 640 | 10 | 26 | 36 | 28 | 23 | 17 | 10 | 10 | 25 | 35 | 28 | 20 | 16 | 10 | — |
| | 211 | 760 | 12 | 31 | 41 | 33 | 28 | 22 | 15 | 15 | 30 | 40 | 33 | 25 | 21 | 15 | 14 |
| DN 200 | | | | Without and with actuator ¹⁾ | | | | | | | Without and with actuator ¹⁾ | | | | | | |
| 0° | 250 | 900 | 8 | 21 | 29 | 18 | 21 | — | — | — | 21 | 29 | 18 | 21 | — | — | — |
| | 315 | 1 130 | 10 | 27 | 35 | 24 | 27 | 17 | — | — | 27 | 35 | 24 | 27 | 17 | — | — |
| | 380 | 1 360 | 12 | 31 | 30 | 30 | 32 | 24 | 14 | 10 | 31 | 30 | 30 | 32 | 24 | 14 | 10 |
| 20° | 250 | 900 | 8 | 22 | 30 | 19 | 22 | 13 | — | — | 22 | 30 | 19 | 22 | 13 | — | — |
| | 315 | 1 130 | 10 | 28 | 36 | 25 | 28 | 19 | — | — | 28 | 36 | 25 | 28 | 19 | — | — |
| | 380 | 1 360 | 12 | 32 | 40 | 29 | 32 | 23 | 12 | 11 | 32 | 40 | 29 | 32 | 23 | 12 | 11 |
| 30° | 250 | 900 | 8 | 23 | 31 | 20 | 23 | 14 | — | — | 23 | 31 | 20 | 23 | 14 | — | — |
| | 315 | 1 130 | 10 | 29 | 37 | 26 | 29 | 20 | — | — | 29 | 37 | 26 | 29 | 20 | — | — |
| | 380 | 1 360 | 12 | 32 | 40 | 29 | 32 | 23 | 12 | 11 | 32 | 40 | 29 | 32 | 23 | 12 | 11 |
| DN 250 | | | | Without and with actuator ¹⁾ | | | | | | | Without and with actuator ¹⁾ | | | | | | |
| 0° | 395 | 1 420 | 8 | 23 | 32 | 20 | 23 | 11 | — | — | 23 | 32 | 20 | 23 | 11 | — | — |
| | 490 | 1 770 | 10 | 29 | 37 | 27 | 29 | 19 | — | — | 29 | 37 | 27 | 29 | 19 | — | — |
| | 590 | 2 120 | 12 | 33 | 40 | 32 | 34 | 26 | 16 | 12 | 33 | 40 | 32 | 34 | 26 | 16 | 12 |
| 20° | 395 | 1 420 | 8 | 24 | 32 | 22 | 24 | 15 | — | — | 24 | 32 | 22 | 24 | 15 | — | — |
| | 490 | 1 770 | 10 | 30 | 38 | 28 | 30 | 21 | 10 | 10 | 30 | 38 | 28 | 30 | 21 | 10 | 10 |
| | 590 | 2 120 | 12 | 34 | 42 | 32 | 34 | 25 | 14 | 14 | 34 | 42 | 32 | 34 | 25 | 14 | 14 |
| 30° | 395 | 1 420 | 8 | 25 | 33 | 23 | 25 | 16 | — | — | 25 | 33 | 23 | 25 | 16 | — | — |
| | 490 | 1 770 | 10 | 31 | 39 | 29 | 31 | 22 | 11 | 11 | 31 | 39 | 29 | 31 | 22 | 11 | 11 |
| | 590 | 2 120 | 12 | 35 | 43 | 33 | 35 | 26 | 15 | 15 | 35 | 43 | 33 | 35 | 26 | 15 | 15 |

Sound power level

Thanks to its excellent acoustic properties the swivel jet nozzle is most suitable for use in large spaces with high acoustic requirements such as concert halls, theatres, conference rooms, museums, etc.

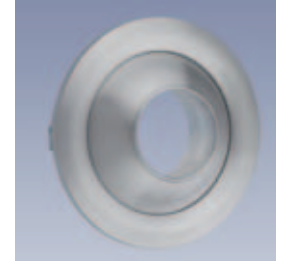
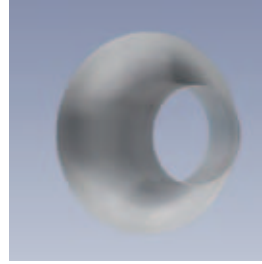
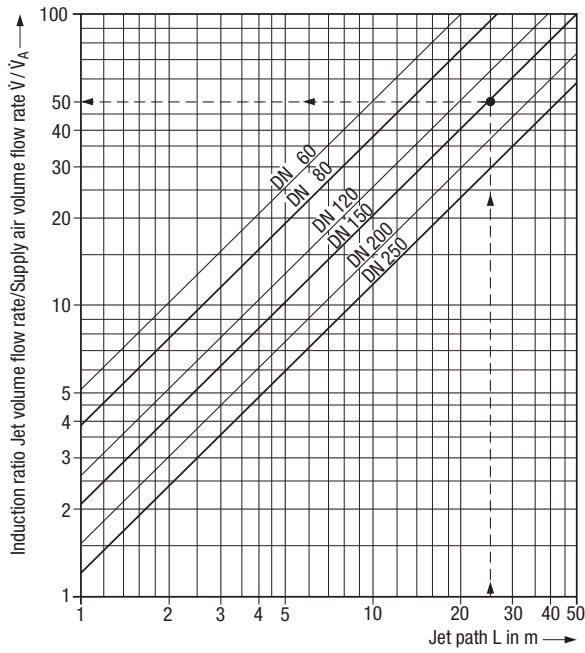
The sound power levels listed here apply to connection type K (pressurized plenum). With connection type R or F to a straight circular duct with $L \geq 3$ DN, the sound power level is 1 dB(A) higher, and even 3 dB(A) higher with an elbow.

Increase in sound power level ΔL in relation to air velocity u_L when mounted in a rectangular duct

| u_L in m/s | 2.0 | 2.5 | 3.0 | 4.0 | 5.0 | 6.0 |
|------------------|-----|-----|-----|-----|-----|-----|
| ΔL in dB | 0 | 0 | 0 | 4 | 8 | 12 |

¹⁾ Actuator running noise < 35 dB(A)

Jet nozzle



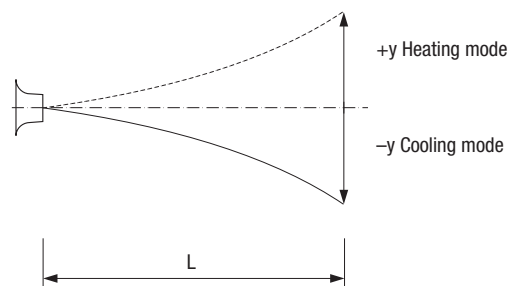
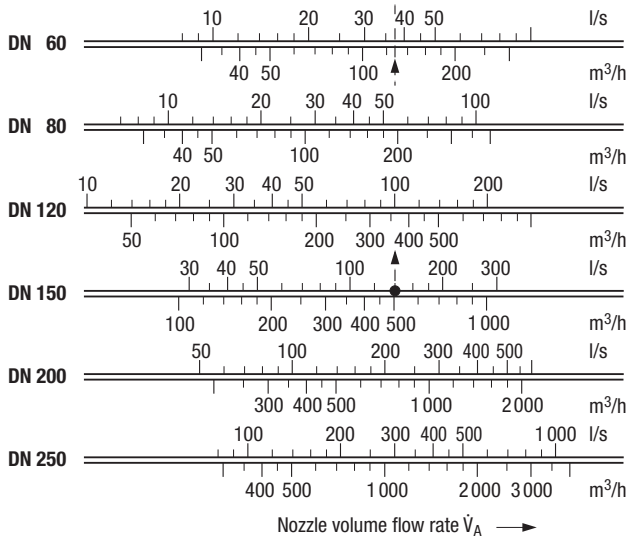
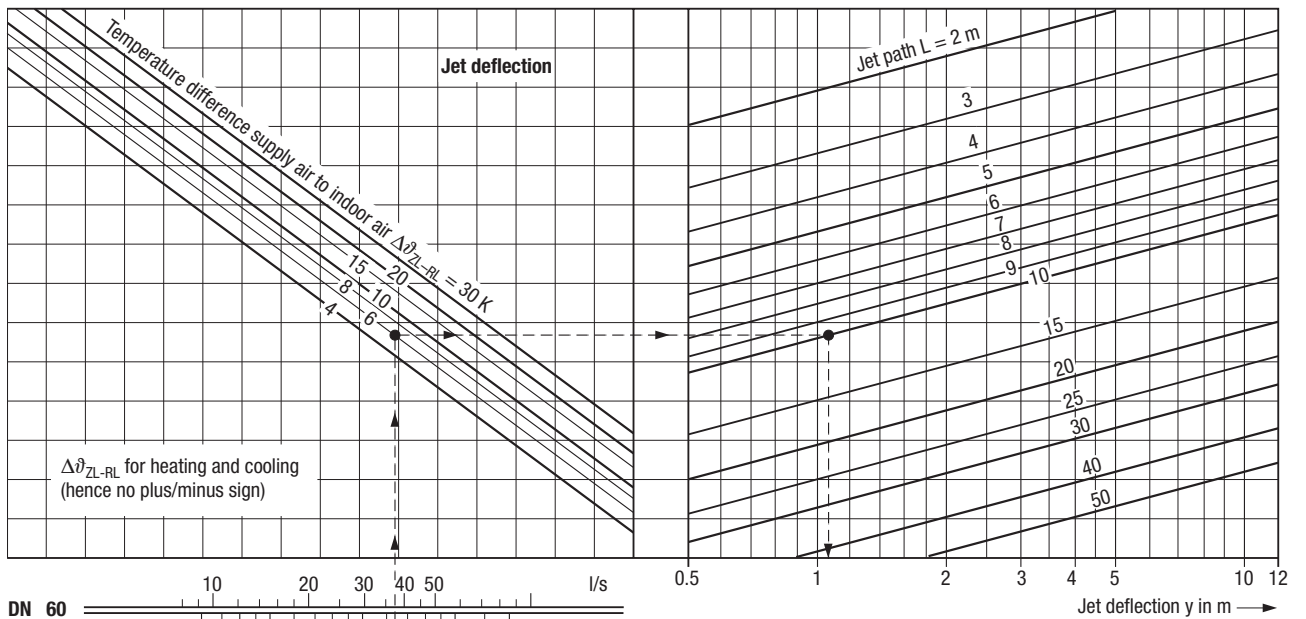
◀ Induction ratio

Example: Size DN 150

Jet path $L = 25$ m

From graph:

Induction ratio Jet/Supply air volume flow rate $\dot{V} / \dot{V}_A = 50$,
i.e. mixing of 49-fold indoor air volume flow rate after 25 m jet path

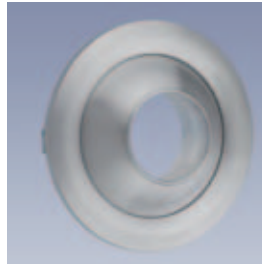
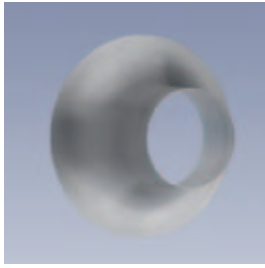


www.krantz.de DS 1235 E p. 11 01.2014

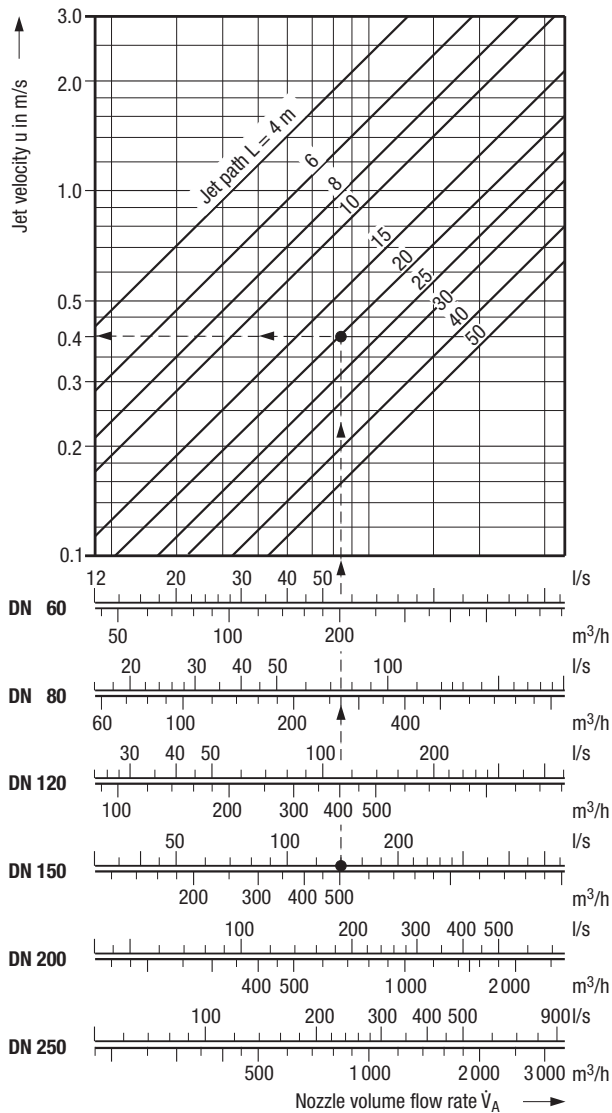
Example: Size DN 150
Nozzle volume flow rate $\dot{V}_A = 140$ l/s
Temperature difference supply air to indoor air $\Delta\theta_{ZL-RL} = +6$ K (Heating)

From graph:
Jet path $L = 10$ m
Jet deflection $y \approx +1.1$ m after 10 m jet path

Jet nozzle



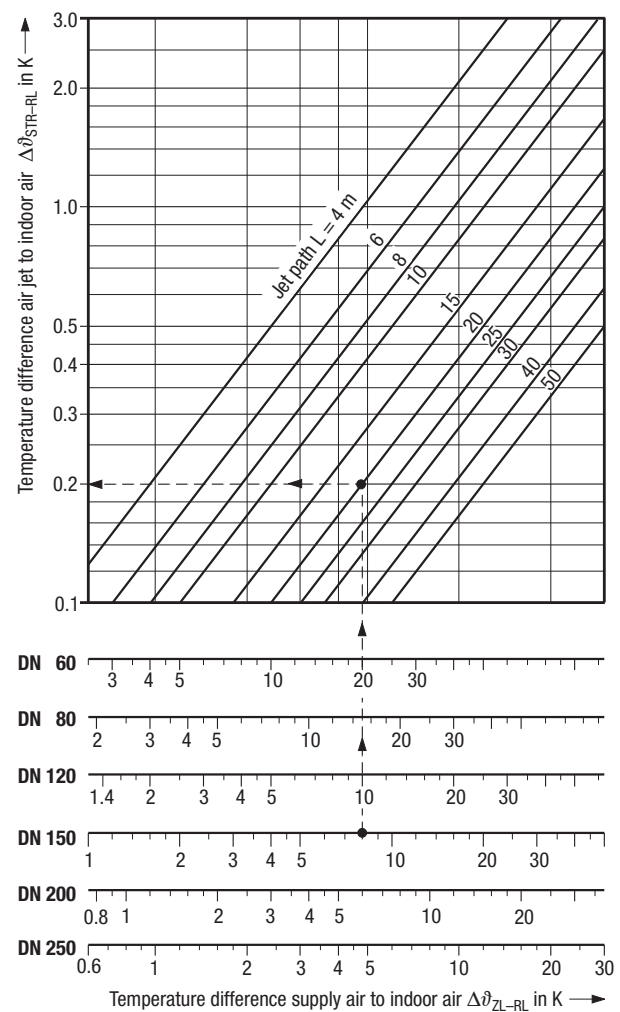
Decrease in jet velocity ¹⁾



Example: Size **DN 150**
 Nozzle volume flow rate $\dot{V}_A = 140$ l/s ($u_0 = 7.85$ m/s)
 Jet path $L = 20$ m

From graph:
 Decrease in discharge velocity $u_0 = 7.85$ m/s
 to jet velocity $u = 0.4$ m/s after 20 m jet path

Decrease in jet temperature



Example: Size **DN 150**
 Temperature difference supply air to indoor air $\Delta\vartheta_{\text{ZL-RL}} = 8$ K
 Jet path $L = 20$ m

From graph:
 Decrease in temperature difference $\Delta\vartheta_{\text{ZL-RL}} = 8$ K to $\Delta\vartheta_{\text{str-RL}} = 0.2$ K
 after 20 m jet path

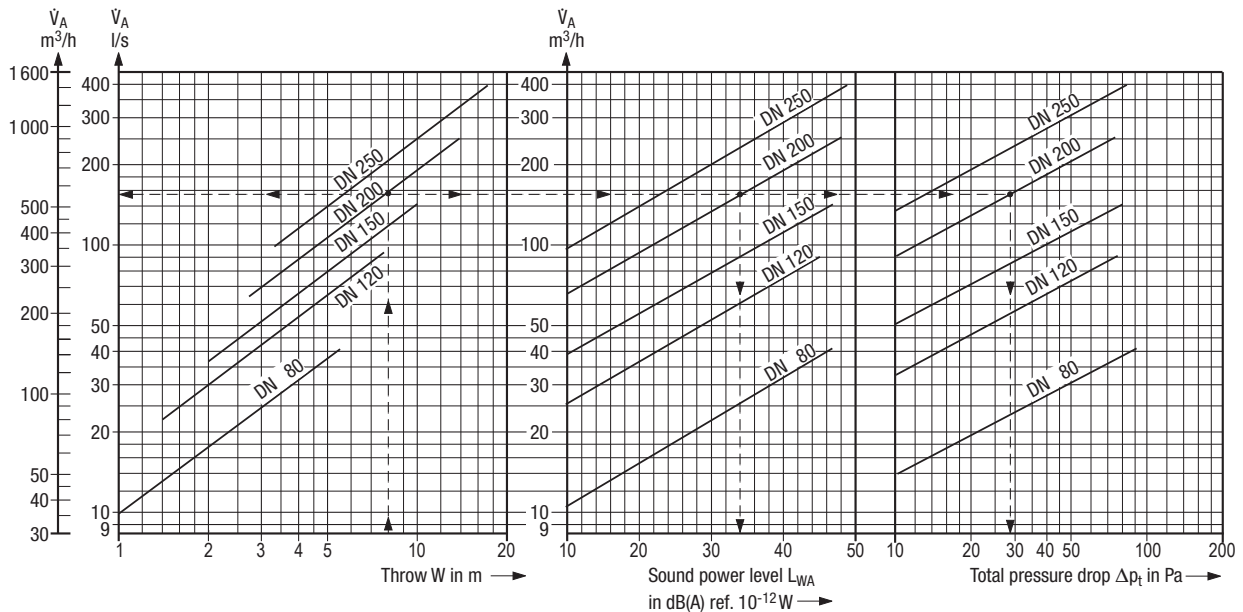
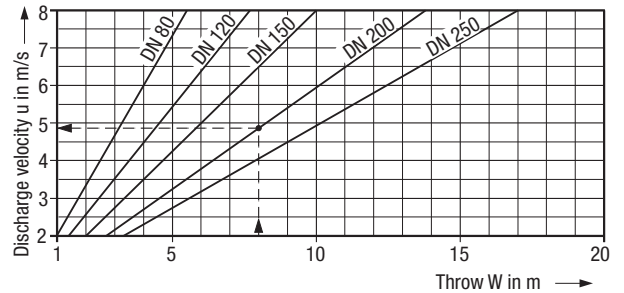
¹⁾ Jet velocity in the jet axis at the respective points of observation on the jet paths

Twist nozzle

DW-V2-...-DR - Layout sheet and sound power level



The decrease in jet velocity can be determined using the graph on page 12. For this purpose, the jet path of the twist nozzle must be multiplied by 0.5. Example: jet velocity $u = 0.4$ m/s with DN 150 and $\dot{V} = 139$ l/s [500 m³/h] results in jet path $L = 20$ m (for DW-V2) which, multiplied by factor 0.5, results in a jet path of 10 m with the twist nozzle.



Layout example:

- 1 Supply air volume flow rate $\dot{V} = 6\ 111$ l/s
- 2 Maximum throw $W = 8$ m
- 3 Max. allowable sound power level $L_{WA} = 35$ dB(A) ref. 10^{-12} W

From graph:

- 4 Size = DN 200 selected
- 5 Volume flow rate $\dot{V}_A = 156$ l/s
- 6 Sound power level $L_{WA} \approx 34$ dB(A) ref. 10^{-12} W
- 7 Total pressure drop $\Delta p_t \approx 29$ Pa
- 8 Number $Z = 40$ units [from 1 : 5]
- 9 Discharge velocity $u = 4.9$ m/s

Sound power level of DW-V2-...-DR

| Size | Nozzle volume flow rate | | Discharge velocity m/s | Total pressure drop Pa | L _{WA} dB(A) ref. 10 ⁻¹² W | Sound power level L _W in dB ref. 10 ⁻¹² W | | | | | |
|--------|-------------------------|-------------------|---------------------------|---------------------------|--|---|-----|-----|-----|-----|-----|
| | l/s | m ³ /h | | | | Octave band centre frequency in Hz | | | | | |
| | | | | | | 125 | 250 | 500 | 1 K | 2 K | 4 K |
| DN 80 | 10 | 35 | 2 | 5 | 8 | 18 | 10 | — | — | — | — |
| | 19 | 70 | 4 | 20 | 27 | 35 | 30 | 23 | 24 | 11 | — |
| | 31 | 110 | 6 | 50 | 38 | 43 | 41 | 34 | 34 | 29 | 18 |
| | 40 | 145 | 8 | 88 | 46 | 49 | 47 | 42 | 41 | 39 | 29 |
| DN 120 | 22 | 80 | 2 | 5 | 7 | 19 | — | — | — | — | — |
| | 44 | 160 | 4 | 18 | 26 | 33 | 27 | 21 | 22 | 12 | — |
| | 64 | 240 | 6 | 41 | 37 | 42 | 37 | 31 | 34 | 28 | 14 |
| | 92 | 330 | 8 | 76 | 45 | 48 | 44 | 38 | 38 | 41 | 27 |
| DN 150 | 36 | 130 | 2 | 5 | 8 | 17 | 10 | — | — | — | — |
| | 69 | 250 | 4 | 19 | 27 | 33 | 26 | 26 | 23 | 11 | — |
| | 106 | 380 | 6 | 41 | 38 | 42 | 38 | 33 | 35 | 28 | 16 |
| | 142 | 510 | 8 | 77 | 47 | 49 | 46 | 41 | 41 | 41 | 29 |
| DN 200 | 61 | 220 | 2 | 5 | 9 | 17 | 12 | — | — | — | — |
| | 125 | 450 | 4 | 19 | 28 | 33 | 28 | 28 | 23 | 12 | — |
| | 186 | 670 | 6 | 43 | 39 | 44 | 38 | 36 | 35 | 30 | 18 |
| | 253 | 910 | 8 | 78 | 48 | 51 | 47 | 44 | 42 | 42 | 30 |
| DN 250 | 97 | 350 | 2 | 5 | 11 | 18 | 13 | — | — | — | — |
| | 197 | 710 | 4 | 21 | 30 | 34 | 30 | 29 | 25 | 14 | — |
| | 294 | 1 060 | 6 | 46 | 40 | 43 | 39 | 36 | 37 | 31 | 22 |
| | 395 | 1 420 | 8 | 83 | 48 | 51 | 48 | 44 | 43 | 42 | 33 |

Increase in sound power level ΔL in relation to air velocity u_L when mounted in a rectangular duct

| | | | |
|------------------|-----|-----|-----|
| u_L in m/s | 2.0 | 2.5 | 3.0 |
| ΔL in dB | 0 | 0 | 0 |

| | | | |
|------------------|-----|-----|-----|
| u_L in m/s | 4.0 | 5.0 | 6.0 |
| ΔL in dB | 3 | 5 | 7 |

Jet nozzle and twist nozzle

Features and type code

Features at a glance

General features

- Installation in the wall of a pressurized plenum or rectangular duct
- Insertion into circular ducts to EN 1506, with seal
- Connection to shaped parts to EN 1506, with slip-on end
- Swivel jet nozzle with concealed fastening screws
- Flexible duct connection for manual adjustment also available
- Adjustment options: manually, by electric actuator or, without auxiliary energy, by maintenance-free thermostatic control unit
- The thermostatic control unit allows for resetting; the swivel range can be altered in increments of 5°, up to 20° in total. The mechanism of the thermostatic control unit is protected from undue application of force by a device that can disengage and engage again when the nozzle is swivelled by hand.
- Material:
 - Nozzle: aluminium
 - Slip-on and push-in ends: galvanized sheet metal
 - Twist element: black-painted sheet metal
- Colour: aluminium in natural colour or painted to a RAL colour
- Unobtrusive placement possible, e.g. behind the wall finish

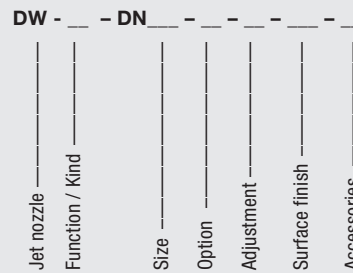
Jet nozzles

- Throws up to 50 m
- Available in 6 sizes for volume flow rates up to 590 l/s [2 120 m³/h]
- Very low sound power level
- Low pressure drop,
 - swivel nozzle: $\zeta = 1.35$
 - non-adjustable nozzle: $\zeta = 1.05$
 related to discharge velocity

Twist nozzles

- Throws up to 17 m
- Available in 5 sizes for volume flow rates up to 395 l/s [1 420 m³/h]

Type code



Function / Kind

- N2 = non-adjustable
- V2 = swivel type

Size

- 60 = DN 60
- 80 = DN 80
- 120 = DN 120
- 150 = DN 150
- 200 = DN 200
- 250 = DN 250

Option

- K = connection to pressurized plenum (duct wall)
- F = for slipping onto shaped part
- R = for pushing into circular duct
- B = connector for connection to flexible duct (DW-V2 only) ¹⁾

Adjustment (DW-V2 only)

| | DN 60 | DN 80 | DN 120 | DN 150 | DN 200 | DN 250 |
|--|-------|-------|--------|--------|--------|--------|
| MA = manual | • | • | • | • | • | • |
| E22 = „Siemens actuator, 0 – 10 V modulation“, stroke drive type GDB161.2E | • | • | • | • | • | |
| E23 = „Siemens actuator, 3-point type, 24 V“, stroke drive type GDB131.2E | • | • | • | • | • | |
| E24 = „Siemens actuator, 3-point type, 230 V“, stroke drive type GDB331.2E | • | • | • | • | • | |
| E25 = „Siemens actuator, 0 – 10 V modulation“, stroke drive type GLB161.2E | | | | | | • |
| E26 = „Siemens actuator, 3-point type, 24 V“, stroke drive type GLB131.2E | | | | | | • |
| E27 = „Siemens actuator, 3-point type, 230 V“, stroke drive type GLB331.2E | | | | | | • |
| T1 = Thermostatic control unit, 20 – 28°C | | | • | • | • | • |

Surface finish

- 0 = no coating
- = face painted to RAL

Accessories (DW-V2 only)

- 0 = none
- DR = with twist element (from DN 80 upwards)

¹⁾ Only suitable for manual adjustment

Jet nozzle and twist nozzle

Tender text

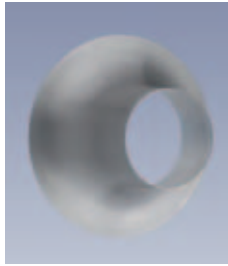


Fig. 13: DW-N2

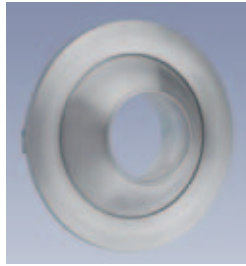


Fig. 14: DW-V2



Fig. 15: DW-V2-...-DR



Fig. 16: DW-V2 with electric actuator



Fig. 17: DW-V2 with thermostatic control unit

Tender text

- Jet nozzle DW-N2 ¹⁾

..... units

Non-adjustable jet nozzle for air distribution into large spaces, with rounded intake featuring good aerodynamic and acoustic properties.

- **Connection type K** with flange for connection to a pressurized plenum or a rectangular duct.
- **Connection type R** with push-in end for insertion into a circular duct to EN 1506, with seal.
- **Connection type F** with slip-on end for shaped parts to EN 1506.

Material:

- Nozzle body made of aluminium in natural colour or painted to RAL
- Push-in and slip-on ends made of galvanized sheet metal

Make: KRANTZ KOMPONENTEN
Type: DW - N2 - DN___ - __ - __

- Swivel jet nozzle DW-V2, Twist nozzle DW-V2-...-DR

..... units

Swivel jet nozzle with rounded intake featuring good aerodynamic and acoustic properties, housed in a hemispheric casing with opposite swivel bearings, swivel range $\pm 30^\circ$, designed as

- **jet nozzle** with large jet penetration depth for air distribution into large spaces, discharge direction adjustable in the horizontal and vertical planes, or
- **twist nozzle** ²⁾ with small jet penetration depth for air distribution into narrow spaces, with built-on twist element,

fitted with:

fastening flange to accommodate the hemisphere and the nozzle, turnable within slot segments for setting the discharge direction as required; a scale with 10-degree division helps set the discharge direction accurately when tuning the HVAC system. The discharge

direction can be adjusted manually, by electric actuator or, without auxiliary energy, by a self-acting thermostatic control unit. With thermostatic control unit, the factory-set swivel range can be altered manually once the swivel jet nozzle is installed; this is possible in increments of 5° and up to 20° in total. The mechanism of the thermostatic control unit is protected from undue application of force by a device that can disengage and engage again when the nozzle is swivelled by hand.

- **Connection type K** with flange for connection to a pressurized plenum or a rectangular duct, inclusive of collar to conceal the fastening screws.
- **Connection type R** with push-in end for insertion into a circular duct to EN 1506, with seal.
- **Connection type F** with slip-on end for shaped parts to EN 1506.
- **Connection type B** with connector for flexible duct.

Material:

- Nozzle body and collar made of aluminium in natural colour or painted to RAL
- Push-in and slip-on ends made of galvanized sheet metal
- Twist element ²⁾ made of galvanized sheet metal, black-painted

Make: KRANTZ KOMPONENTEN
Type: DW - V2 - DN___ - __ - __ - __ - __

Subject to technical alterations.

¹⁾ Available with twist element on request

²⁾ Available for size DN 80 up to DN 250



Caverion Deutschland GmbH

Krantz Komponenten

Uersfeld 24, 52072 Aachen, Germany

Phone: +49 241 441-1, Fax: +49 241 441-555

info@krantz.de, www.krantz.de